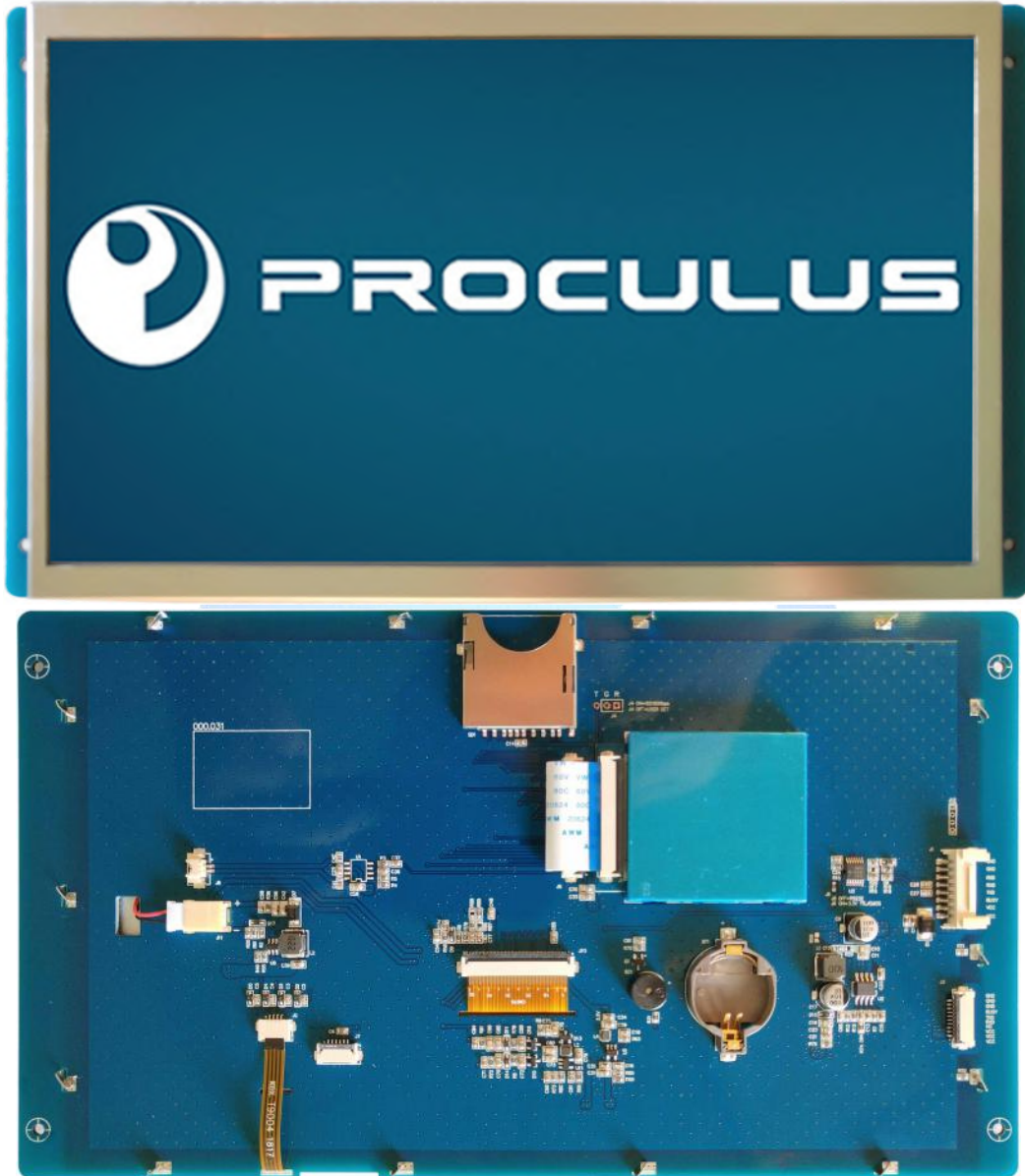


P10600J101I_X01

(X can be defined as N/T/P; N=No Touch/T=Resistive Touch/P=Pcap Touch)

10.1 Inches, 1024xRGBx600, 65K Colors



Modification Record

| Date | Content |
|------------|---------------|
| 2016/11/01 | First release |
| | |
| | |

Features

- Support RS232/TTL/CMOS, the max baud rate is 921600bps;
- Support audio
- Support hardware JPG decoding which makes storage more efficient and display quicker;
- Support offline batch download through USB Flash Drive, which improves download efficiency and reduce requirements for operators;
- Support backlight brightness adjustment and automatic standby screen saver function;
- Support multi-language font library, picture, TWO-DIMENSIONAL code display;
- Support number and English input, customizable keyboard interface;
- Support 90 degrees, 180 degrees, 270 degrees screen rotation, adjustable visual angle;
- Easy-to-use UnicView GUIs Development, no coding skills required;
- Instant operation when power on without system load time;
- Excellent electromagnetic compatibility characteristics.

| Display | | | | | |
|--|---|------|------|------|------|
| Color | 65K (65536) colors, 16 bit color 5R6G5B | | | | |
| ACTIVE AREA / View Area | 222.7mm(width)×125.3mm(height)/225.9 mm(width)×127.9mm(height) | | | | |
| Resolution | 1024*600, 90° rotated display (600*1024) | | | | |
| Backlight /Lifecycle/Brightness | LED/20,000 HOURS/ 300 cd/m ² / (64 level adjustment) | | | | |
| Working Temperature | -10~+70°C/-30~+85°C | | | | |
| Voltage & Current | | | | | |
| Item | Condition | Min. | Typ. | Max. | Unit |
| Power Voltage | | - | 12 | - | V |
| Operation Current | VIN = 12V, Backlight on | - | 350 | - | mA |
| | VIN = 12V, Backlight off | - | 170 | - | mA |
| Recommended Power Supply: 12V 1A DC | | | | | |
| Reliability Test | | | | | |
| Item | Condition | Min. | Typ. | Max. | Unit |
| Working Temperature | 60%RH at 12V voltage | -10 | 25 | 70 | °C |
| Storage Temperature | - | -30 | 25 | 85 | °C |
| Working Humidity | 25°C | 10% | 60% | 90% | RH |
| Protective Paint | - | - | None | - | - |

| | | | | | |
|--|--|-------------|-------------|-------------|-------------|
| Aging Test | - | - | 8 | - | H |
| Interface | | | | | |
| Item | Condition | Min. | Typ. | Max. | Unit |
| Baud Rate | Standard | 1200 | 115200 | 921600 | bps |
| | User Defined | 1200 | - | 921600 | bps |
| Output Voltage (TXD、 BUSY) | Output 1,Iout=1mA | 3.0 | 3.2 | - | V |
| | Output 0,Iout=-1mA | - | 0.1 | 0.2 | V |
| Input Voltage (RXD) | Input 1,Iin=1mA | 2.0 | 3.3 | 15.0 | V |
| | Input 0,Iin=-1mA | -15.0 | 0.0 | 0.3 | V |
| Interface | Mode is determined by Jumper6: ON = 8N1, 3.3V TTL/CMOS; OFF = 8N1, RS232 | | | | |
| Socket | HY2.0-8P/10pin,1.0mm FFC | | | | |
| USB | Reserved (If needed, please contact our sales representative.) | | | | |
| SD slot | Yes (SD/SDHC, FAT32 file format) | | | | |
| Memory | | | | | |
| Item | Parameter | Min | Typ. | Max | Unit |
| Flash | Space of Font | - | 32 | - | MB |
| | Picture Storage (256MB) | - | - | 215 | Pcs |
| | Picture Storage (1GB) | - | - | 932 | Pcs |
| | User' s Storage | 0 | - | 32 | MB |
| Peripherals | | | | | |
| Buzzer | Yes | | | | |
| RTC | Yes | | | | |
| Resistive touch screen | Yes | | | | |
| SD Card | Yes | | | | |
| Model number | | | | | |
| P10600J101I_N01 | No Touch | | | | |
| P10600J101I_T01 | Resistive Touch | | | | |
| P10600J101I_P01 | Pcap Touch | | | | |
| Packaging and physical dimensions | | | | | |
| Parameter | Data | | | | |
| Dimensions | 257.8(width) ×148.1(height) ×16.5(thickness with TP) | | | | |
| Net weight of single piece | 750g | | | | |
| Weight of whole case | TBD | | | | |
| Packing box size | 480mm(L)×320mm(W)×230mm (H) | | | | |
| Packing specification | 15 pieces /box | | | | |

Immunity Test

ESD test for electrostatic discharge

Test ambient temperature: 25°C

Test ambient humidity: 50%

Test process: Carry out contact and air discharge on the periphery of the iron frame and the display area of the serial port screen in turn, and observe whether the screen has abnormal working phenomena such as reset restart, black screen, white screen, communication interruption, and other abnormalities.

| Discharge type | Discharge value | Result |
|-------------------|-----------------|-------------------|
| Contact discharge | ±6KV | Working properly. |
| Air discharge | ±15KV | Working properly. |

Note: All tests are conducted when the products are exposed. In the actual use process, when the serial port screen is assembled on the user equipment, the screen and the equipment are kept well-grounded, the ESD performance of the whole machine will be better.

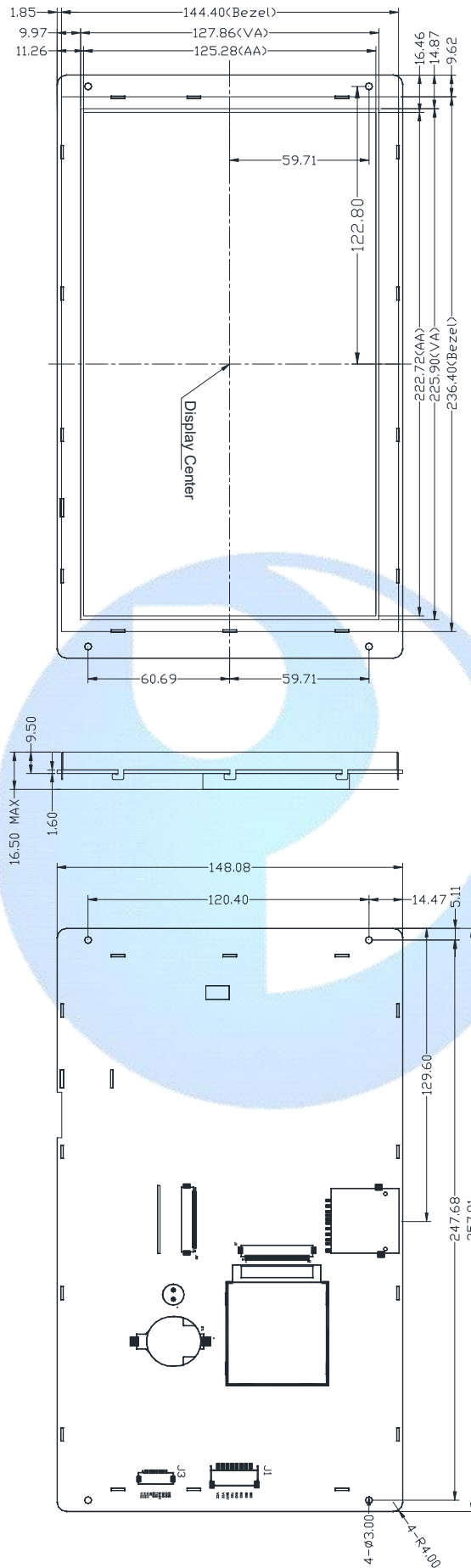
EFT Test

Test ambient temperature: 25°C

Test ambient humidity: 50%

Test process: The power supply line supplies power to the screen through the power supply after the pulse Group generator is coupled with the pulse Group; the serial port signal line carries out serial port communication with the screen through the signal after the pulse Group generator is coupled with the pulse Group; and the screen is observed whether abnormal working phenomena such as reset restart, black screen, white screen, abnormal communication, and communication interruption.

| Test item | Test standard | | Result |
|-------------|---------------|-----------|-------------------|
| | Voltage | Frequency | |
| Power cord | 4 KV | 100 KHz | Working properly. |
| Signal line | 2 KV | 100 KHz | Working properly. |



技术要求:
1. 单位: mm
2. 未注公差±0.3:

| J1引脚编号 | J3引脚编号 | 引脚名称 | 引脚类型 | 说明 |
|--------|----------|------|------|------------------|
| 1, 2 | 1, 2, 3 | VCC | P | 电源输入/Power input |
| 3 | 7 | BUSV | OUT | 串口缓冲区分信号指示 |
| 4 | 6 | TXD | OUT | RS232/TTL数据输出 |
| 5, 6 | 5 | RXD | IN | RS232/TTL数据输入 |
| 7, 8 | 8, 9, 10 | GND | P | 公共地/GND |
| - | 4 | NC | - | 未定义/Not Defined |