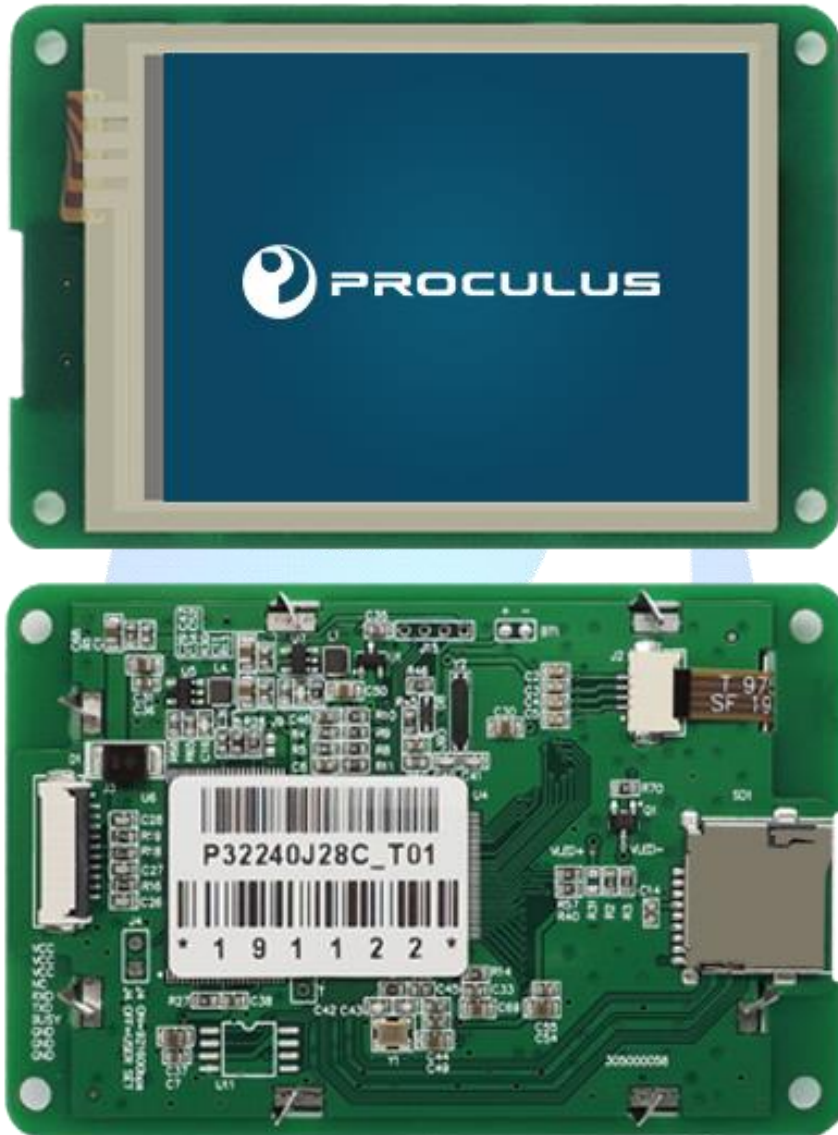


P32240J28C_X01

(X can be defined as N/T/P; N=No Touch/T=Resistive Touch/P=Pcap Touch)

2.8 Inches, 320xRGBx240, 65K Colors



Modification Record

Date	Content
2016/03/28	First release

Features

- Support RS232/TTL/CMOS, the max baud rate is 921600bps;
- Support hardware JPG decoding which makes storage more efficient and display quicker;
- Support offline batch download through USB Flash Drive, which improves download efficiency and reduce requirements for operators;
- Support backlight brightness adjustment and automatic standby screen saver function;
- Support multi-language font library, picture, TWO-DIMENSIONAL code display;
- Support number and English input, customizable keyboard interface;
- Support 90 degrees, 180 degrees, 270 degrees screen rotation, adjustable visual angle;
- Easy-to-use UnicView GUIs Development, no coding skills required;
- Instant operation when power on without system load time;
- Excellent electromagnetic compatibility characteristics.

Display

Color	65K (65536) colors, 16 bit color 5R6G5B
ACTIVE AREA / View Area	57.6mm(width)×43.2mm(height)/69.2 mm(width)×50.0 mm(height)
Resolution	320*240, 90° rotated display (240*320)
Backlight /Lifecycle/Brightness	LED/20,000 HOURS/ 300 cd/m ² / (64 level adjustment)
Working Temperature	-20~+70°C/-30~+85°C

Voltage & Current

Item	Condition	Min.	Typ.	Max.	Unit
Power Voltage		-	5	-	V
Operation Current	VIN = 5V, Backlight on	-	160	-	mA
	VIN = 5V, Backlight off	-	100	-	mA

Recommended Power Supply: 5V 1A DC

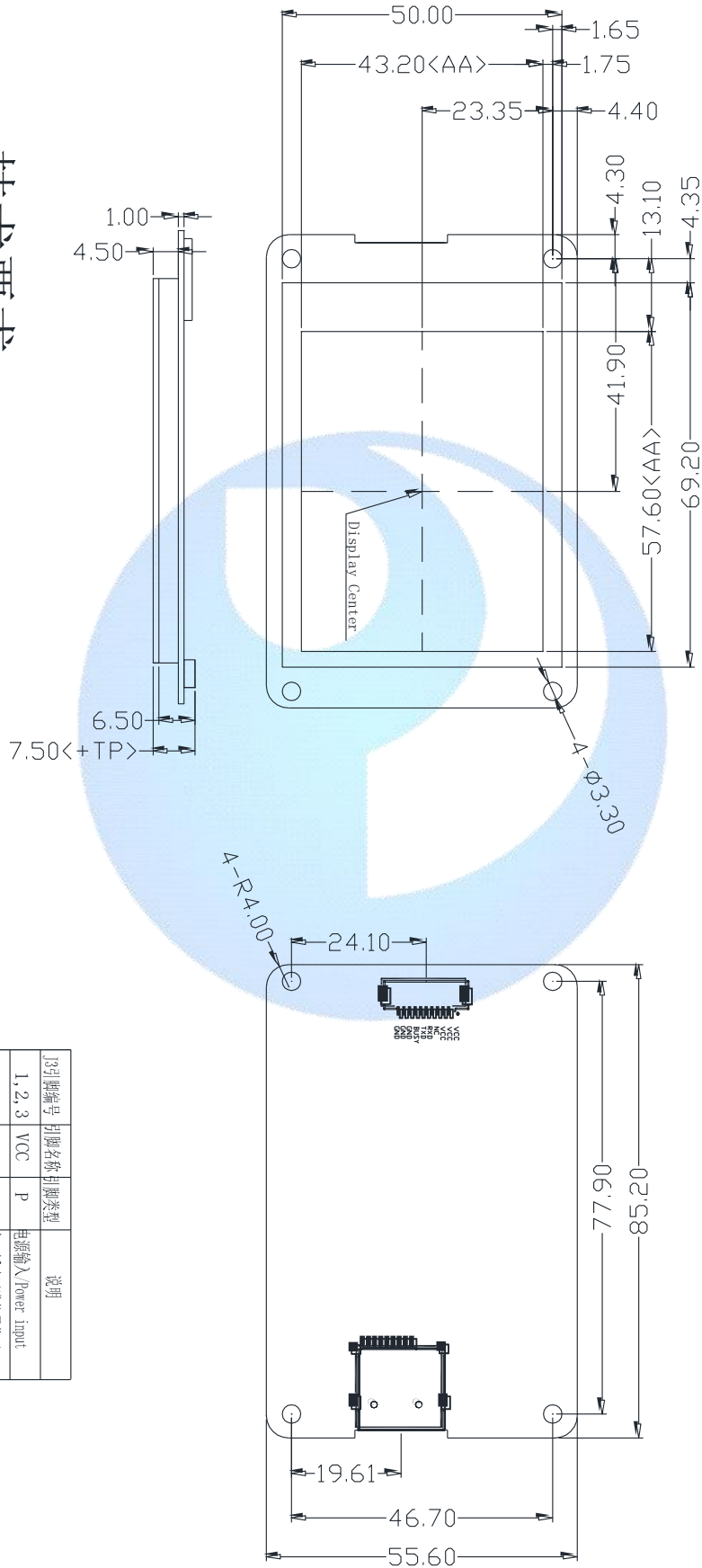
Reliability Test

Item	Condition	Min.	Typ.	Max.	Unit
Working Temperature	60%RH at 5V voltage	-20	25	70	°C
Storage Temperature	-	-30	25	85	°C
Working Humidity	25°C	10%	60%	90%	RH
Protective Paint	-	-	None	-	-

Aging Test	-	-	8	-	H
Interface					
Item	Condition	Min.	Typ.	Max.	Unit
Baud Rate	Standard	1200	115200	921600	bps
	User Defined	1200	-	921600	bps
Output Voltage (TXD、 BUSY)	Output 1,lout=1mA	3.0	3.2	-	V
	Output 0,lout=-1mA	-	0.1	0.2	V
Input Voltage (RXD)	Input 1,lin=1mA	2.0	3.3	15.0	V
	Input 0,lin=-1mA	-15.0	0.0	0.3	V
Interface	8N1, 3.3V TTL/CMOS				
Socket	10pin,1.0mm FFC				
USB	Reserved (If needed, please contact our sales representative.)				
SD slot	Yes (SD/SDHC, FAT32 file format)				
Memory					
Item	Parameter	Min	Typ.	Max	Unit
Flash	Space of Font	-	32	-	MB
	Picture Storage (128MB)	-	-	373	Pcs
	Picture Storage (256MB)	-	-	868	Pcs
	Picture Storage (1GB)	-	-	2800	Pcs
	User' s Storage	0	-	32	MB
Peripherals					
RTC	Yes				
Resistive touch screen	Yes				
SD Card	Yes				
Model number					
P32240J28C_N01	No Touch				
P32240J28C_T01	Resistive Touch				
Packaging and physical dimensions					
Parameter	Data				
Dimensions	85.2(width) ×55.6(height) ×7.5(thickness without TP) / 8.6(thickness with TP) mm				
Net weight of single piece	TBD				

Weight of whole case	TBD
Packing box size	TBD
Packing specification	100 pieces /box

技术要求：
 1. 单位：mm
 2. 未注公差±0.3；



引脚编号	引脚名称	引脚类型	说明
1, 2, 3	VCC	P	电源输入/Power input
7	BUSY	OUT	串口缓冲区满信号指示
6	TXD	OUT	TTL数据输出
5	RXD	IN	TTL数据输入
8, 9, 10	GND	P	电源地/GND
4	NC	-	未定义/Not Defined