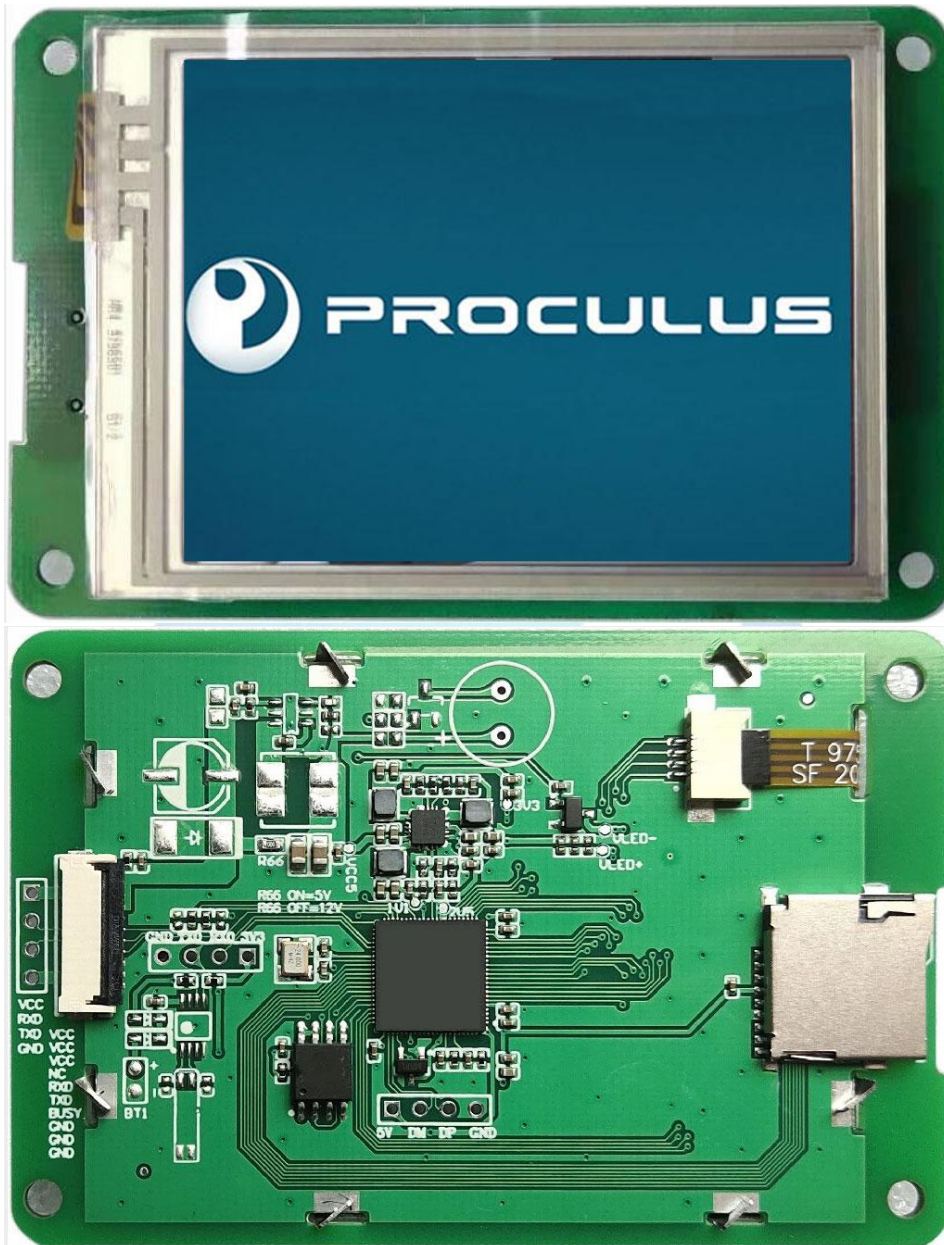


P32240J28L_X01

(X can be defined as N/T/P; N=No Touch/T=Resistive Touch/P=Pcap Touch)

2.8 Inches, 320xRGBx240, 65K Colors



Modification Record

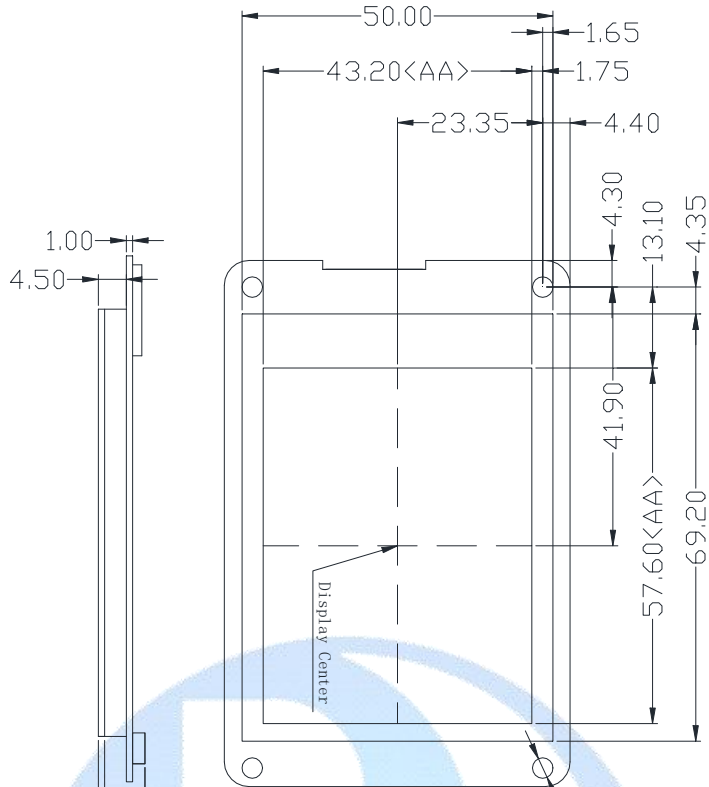
| Date | Content |
|------------|---------------|
| 2018/05/05 | First release |
| | |
| | |

Features

- Support RS232/TTL/CMOS, the max baud rate is 921600bps;
- Support hardware JPG decoding which makes storage more efficient and display quicker;
- Support offline batch download through USB Flash Drive, which improves download efficiency and reduce requirements for operators;
- Support backlight brightness adjustment and automatic standby screen saver function;
- Support multi-language font library, picture, TWO-DIMENSIONAL code display;
- Support number and English input, customizable keyboard interface;
- Support 90 degrees, 180 degrees, 270 degrees screen rotation, adjustable visual angle;
- Easy-to-use UnicView GUIs Development, no coding skills required;
- Instant operation when power on without system load time;
- Excellent electromagnetic compatibility characteristics.

| Display | | | | | |
|--|---|------|------|------|------|
| Color | 65K (65536) colors, 16 bit color 5R6G5B | | | | |
| ACTIVE AREA / View Area | 57.6mm(width)×43.2mm(height)/69.2 mm(width)×50.0 mm(height) | | | | |
| Resolution | 320*240, 90° rotated display (240*320) | | | | |
| Backlight /Lifecycle/Brightness | LED/20,000 HOURS/ 300 cd/m ² / (64 level adjustment) | | | | |
| Working Temperature | -20~+70°C/-30~+85°C | | | | |
| Voltage & Current | | | | | |
| Item | Condition | Min. | Typ. | Max. | Unit |
| Power Voltage | | 4.5 | 5.0 | 5.5 | V |
| Operation Current | VIN = 5V, Backlight on | - | 115 | 130 | mA |
| | VIN = 5V, Backlight off | - | 70 | 75 | mA |
| Recommended Power Supply: 5V 1A DC | | | | | |
| Reliability Test | | | | | |
| Item | Condition | Min. | Typ. | Max. | Unit |
| Working Temperature | 60%RH at 5V voltage | -20 | 25 | 70 | °C |
| Storage Temperature | - | -30 | 25 | 85 | °C |
| Working Humidity | 25°C | 10% | 60% | 90% | RH |
| Protective Paint | - | - | None | - | - |
| Aging Test | - | - | 8 | - | H |

| Interface | | | | | |
|-----------------------------------|---|-------|--------|--------|------|
| Item | Condition | Min. | Typ. | Max. | Unit |
| Baud Rate | Standard | 1200 | 115200 | 921600 | bps |
| | User Defined | 1200 | - | 921600 | bps |
| Output Voltage (TXD、BUSY) | Output 1,lout=1mA | 3.0 | 3.2 | - | V |
| | Output 0,lout=-1mA | - | 0.1 | 0.2 | V |
| Input Voltage (RXD) | Input 1,lin=1mA | 2.0 | 3.3 | 15.0 | V |
| | Input 0,lin=-1mA | -15.0 | 0.0 | 0.3 | V |
| Interface | 8N1, 3.3V TTL/CMOS | | | | |
| Socket | 10pin,1.0mm FFC/4pin, 2.54mm socket | | | | |
| USB | None | | | | |
| SD slot | Yes (SD/SDHC, FAT32 file format) | | | | |
| Memory | | | | | |
| Item | Parameter | Min | Typ. | Max | Unit |
| Flash | Space of Font | - | 8 | - | MB |
| | Picture Storage | - | 7.5 | -- | MB |
| | User' s Storage | 0 | - | 15.5 | MB |
| Peripherals | | | | | |
| RTC | Yes | | | | |
| Resistive touch screen | Yes | | | | |
| SD Card | Yes | | | | |
| Model number | | | | | |
| P32240J28L_N01 | No Touch | | | | |
| P32240J28L_T01 | Resistive Touch | | | | |
| P32240J28L_P01 | Pcap Touch | | | | |
| Packaging and physical dimensions | | | | | |
| Parameter | Data | | | | |
| Dimensions | 85.2(width)×55.6(height) ×7.5(thickness without TP) / 8.6(thickness with TP) mm | | | | |
| Net weight of single piece | TBD | | | | |
| Weight of whole case | TBD | | | | |
| Packing box size | 405×395×210mm | | | | |
| Packing specification | 60 pieces /box | | | | |



技术要求:

1. 单位: mm
2. 未注公差±0.3;

| J3引脚编号 | 引脚名称 | 引脚类型 | 说明 |
|----------|------|------|------------------|
| 1, 2, 3 | VCC | P | 电源输入/Power input |
| 7 | BUSY | OUT | 串口缓冲区满信号指示 |
| 6 | TXD | OUT | TTL数据输出 |
| 5 | RXD | IN | TTL数据输入 |
| 8, 9, 10 | GND | P | 电源地/GND |
| 4 | NC | - | 未定义/Not Defined |