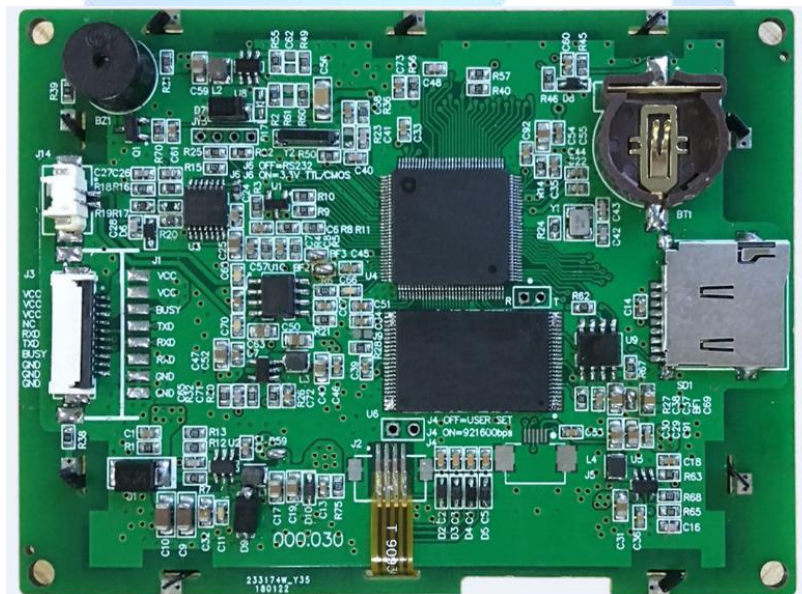
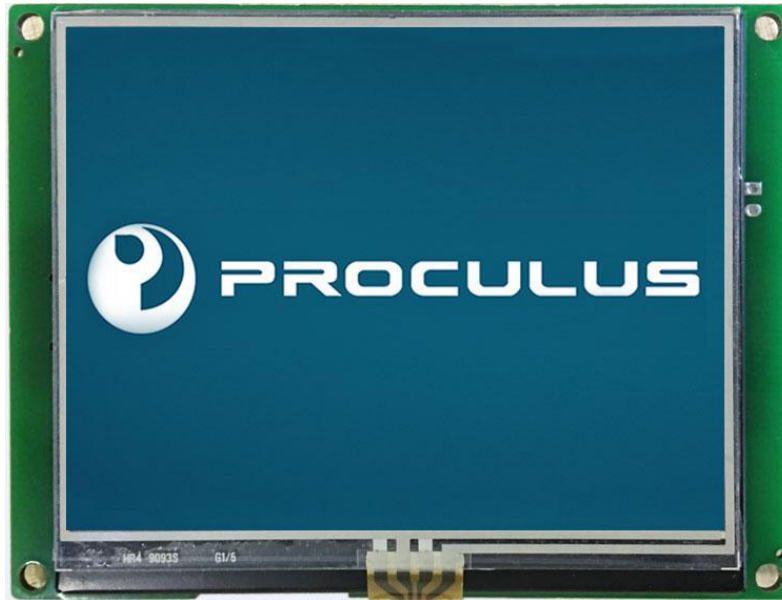


# P32240J35C\_X01

(X can be defined as N/T/P; N=No Touch/T=Resistive Touch/P=Pcap Touch)

**3.5 Inches, 320xRGBx240, 65K Colors**



## Modification Record

Date	Content
2016/11/01	First release
2018/03/14	Structure drawing modification

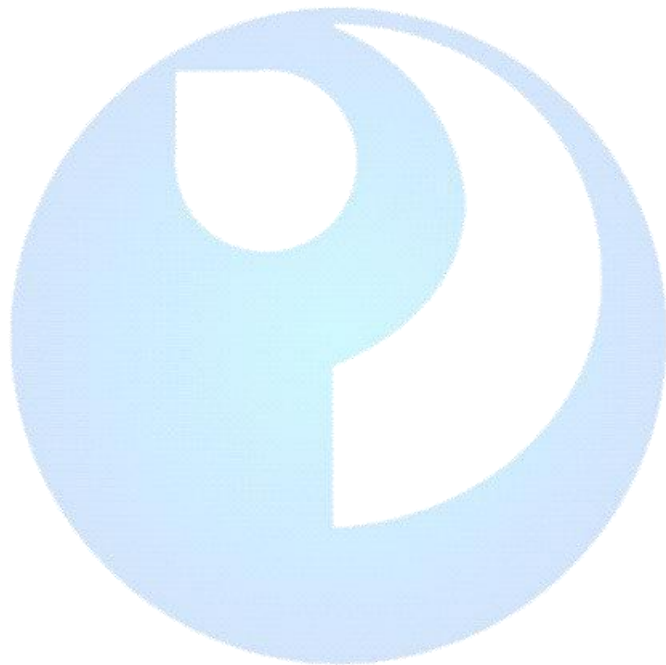
## Features

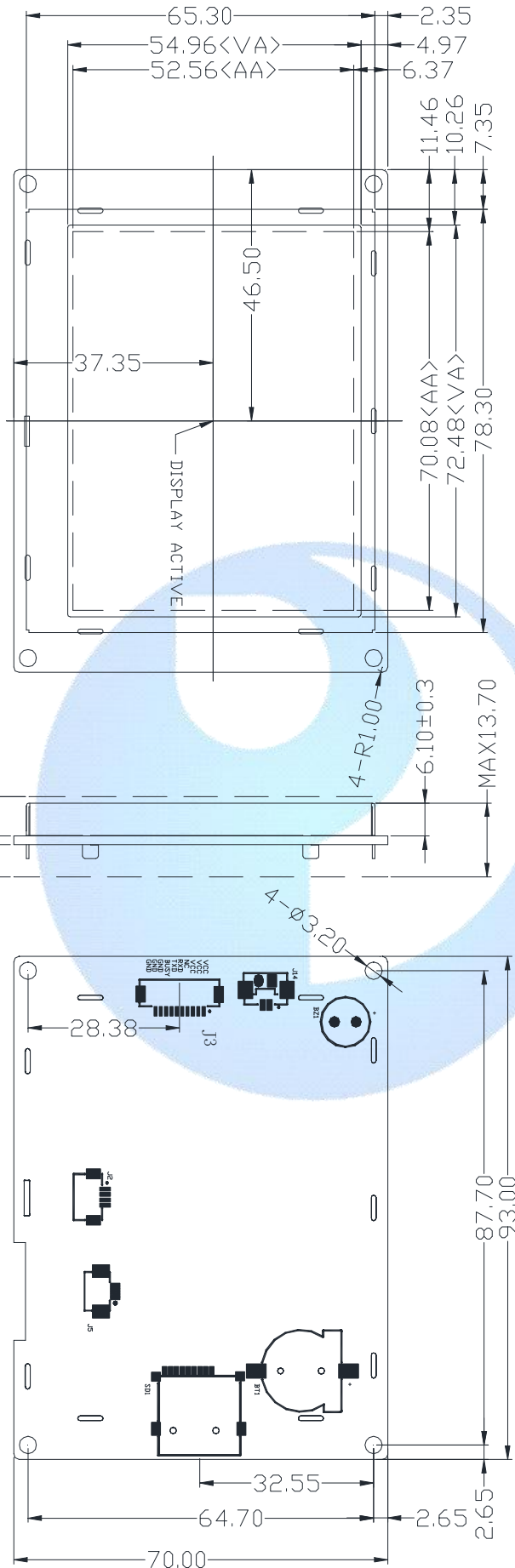
- Support RS232/TTL/CMOS, the max baud rate is 921600bps;
- Support audio
- Support hardware JPG decoding which makes storage more efficient and display quicker;
- Support offline batch download through USB Flash Drive, which improves download efficiency and reduce requirements for operators;
- Support backlight brightness adjustment and automatic standby screen saver function;
- Support multi-language font library, picture, TWO-DIMENSIONAL code display;
- Support number and English input, customizable keyboard interface;
- Support 90 degrees, 180 degrees, 270 degrees screen rotation, adjustable visual angle;
- Easy-to-use UnicView GUIs Development, no coding skills required;
- Instant operation when power on without system load time;
- Excellent electromagnetic compatibility characteristics.

Display					
<b>Color</b>	65K (65536) colors, 16 bit color 5R6G5B				
<b>ACTIVE AREA / View Area</b>	70.0mm(width)×52.6mm(height)/72.5 mm(width)×55.0 mm(height)				
<b>Resolution</b>	320*240, 90° rotated display (240*320)				
<b>Backlight /Lifecycle/Brightness</b>	LED/20,000 HOURS/ 300 cd/m <sup>2</sup> / (64 level adjustment)				
<b>Working Temperature</b>	-20~+70°C/-30~+85°C				
Voltage & Current					
Item	Condition	Min.	Typ.	Max.	Unit
<b>Power Voltage</b>		-	5	-	V
<b>Operation Current</b>	VIN = 12V, Backlight on	-	180	-	mA
	VIN = 12V, Backlight off	-	100	-	mA
Recommended Power Supply: 12V 1A DC					
Reliability Test					
Item	Condition	Min.	Typ.	Max.	Unit
<b>Working Temperature</b>	60%RH at 12V voltage	-20	25	70	°C
<b>Storage Temperature</b>	-	-30	25	85	°C
<b>Working Humidity</b>	25°C	10%	60%	90%	RH
<b>Protective Paint</b>	-	-	None	-	-

<b>Aging Test</b>	-	-	8	-	H
<b>Interface</b>					
<b>Item</b>	<b>Condition</b>	<b>Min.</b>	<b>Typ.</b>	<b>Max.</b>	<b>Unit</b>
<b>Baud Rate</b>	Standard	1200	115200	921600	bps
	User Defined	1200	-	921600	bps
<b>Output Voltage (TXD、 BUSY)</b>	Output 1,Iout=1mA	3.0	3.2	-	V
	Output 0,Iout=-1mA	-	0.1	0.2	V
<b>Input Voltage (RXD)</b>	Input 1,Iin=1mA	2.0	3.3	15.0	V
	Input 0,Iin=-1mA	-15.0	0.0	0.3	V
<b>Interface</b>	Mode is determined by Jumper6: ON = 8N1, 3.3V TTL/CMOS; OFF = 8N1, RS232				
<b>Socket</b>	10pin,1.0mm FFC				
<b>USB</b>	Reserved (If needed, please contact our sales representative.)				
<b>SD slot</b>	Yes (SD/SDHC, FAT32 file format)				
<b>Memory</b>					
<b>Item</b>	<b>Parameter</b>	<b>Min</b>	<b>Typ.</b>	<b>Max</b>	<b>Unit</b>
Flash	Space of Font	-	32	-	MB
	Picture Storage (128MB)	-	-	373	Pcs
	Picture Storage (256MB)	-	-	868	Pcs
	Picture Storage (1GB)	-	-	2800	Pcs
	User' s Storage	0	-	32	MB
<b>Peripherals</b>					
<b>Buzzer</b>	Yes				
<b>RTC</b>	Yes				
<b>Resistive touch screen</b>	Yes				
<b>SD Card</b>	Yes				
<b>Audio</b>	Yes				
<b>Model number</b>					
<b>P32240J35C_N01</b>	No Touch				
<b>P32240J35C_T01</b>	Resistive Touch				
<b>P32240J35C_P01</b>	Pcap Touch				
<b>Packaging and physical dimensions</b>					
<b>Parameter</b>	<b>Data</b>				
<b>Dimensions</b>	93.0(width) ×70.0(height) ×13.7(thickness without TP) / 14.9(thickness with TP) mm				
<b>Net weight of single piece</b>	TBD				
<b>Weight of whole case</b>	TBD				
<b>Packing box size</b>	TBD				

<b>Packing specification</b>	100 pieces /box
------------------------------	-----------------





技术要求:

1. 单位: mm
2. 未注公差 ± 0.3;

J3引脚编号	引脚名称	引脚类型	说明
1, 2, 3	VCC	P	电源输入/Power input
7	BUSY	OUT	串口缓冲区满信号指示
6	TXD	OUT	RS232/TTL数据输出
5	RXD	IN	RS232/TTL数据输入
8, 9, 10	GND	P	电源地/GND
4	NC	-	未定义/Not defined