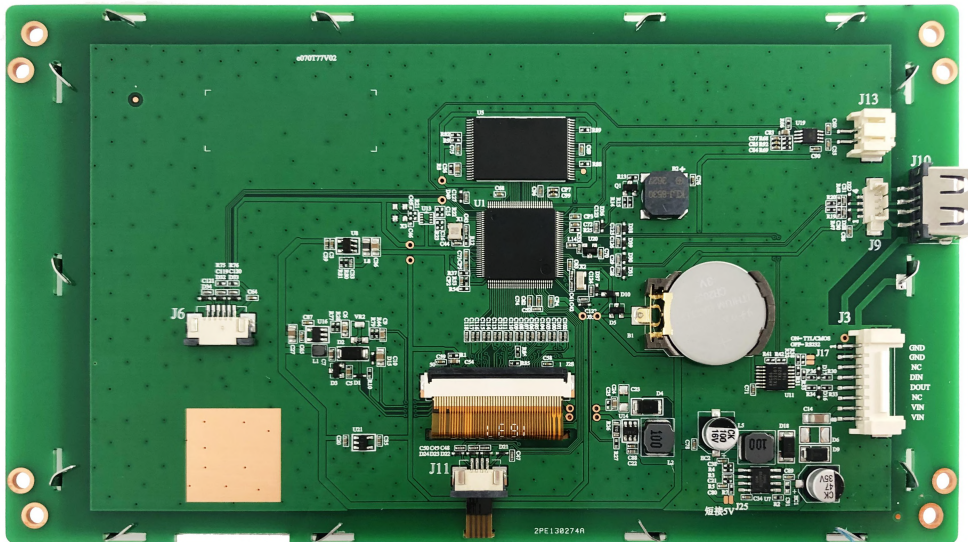


P80480V70I_T30

7.0 Inches, 800xRGBx480, 65K Colors



Modification Record

Date	Content
2018/02/01	First release
2020/09/09	ESD reliability testing has been added

Features

- Support wide range of power supply: Default is 6~35V, use jumper to choose 4.5~5.5V;
- Support RS232/TTL/CMOS, the max baud rate is 921600bps;
- Support audio and video;
- Support hardware JPG decoding which makes storage more efficient and display quicker;
- Support offline batch download through USB Flash Drive, which improves download efficiency and reduce requirements for operators;
- Support backlight brightness adjustment and automatic standby screen saver function;
- Support multi-language font library, picture, TWO-DIMENSIONAL code display;
- Support number and English input, customizable keyboard interface;
- Support 90 degrees, 180 degrees, 270 degrees screen rotation, adjustable visual angle;
- Easy-to-use UnicView GUIs Development, no coding skills required;
- Instant operation when power on without system load time;
- Excellent electromagnetic compatibility characteristics.

Display

Color	65K (65536) colors, 16 bit color 5R6G5B
Visual Angle L/R/U/D	70°/70°/50°/70°
Resolution	800*480, 90° rotated display (480*800)
Backlight /Lifecycle/Brightness	LED/20,000 HOURS/ 400 cd/m ² / (100 level adjustment)
Working Temperature	-20~+70°C/-30~+80°C

Voltage & Current

Item	Condition	Min.	Typ.	Max.	Unit
Power Voltage		6	12	35	V
Operation Current	VIN = 12V, Backlight on	—	300	—	mA
	VIN = 12V, Backlight off	—	100	—	

Note: Short-circuit J25 to choose Power Input as 5V (4.5V~5.5V)

Interface

Item	Condition	Min.	Typ.	Max.	Unit
Baud Rate	Standard	1200	—	921600	bps
Interface	TTL/CMOS (Short-circuit J17 to choose RS232)				
Data Format	1 byte for initial, 8 bytes for data, invalid bytes for checksum, 1 byte for end.				

Peripherals

Buzzer	YES
RTC	YES
Audio Port	Support *.MP3 format. No time limit for single file. Theoretically 4096 files at maximum. Loudspeaker: 8Ω2W.
USB	YES. For downloading offline or data copy.
Memory	128M(support *.jpg files, maximum 65536 files theoretically), extended to 1G at maximum.

Pin definition

J3 Pin Num.	Pin Name	Remarks	J3 Pin Num.	Pin Name	Remarks
1	GND	—	5	DOUT	Serial output
2	GND	—	6	NC	Undefined
3	NC	Undefined	7	VIN	Power input
4	DIN	Serial input	8	VIN	Power input

Packaging and physical dimensions

Parameter	Data
Net weight of single piece	242g (no touch)/293g(resistive touch screen)/304g (capacitive touch screen)
Weight of whole case	8.8kg (no touch)/10.4kg(resistive touch screen)/10.8kg (capacitive touch screen)
Packing box size	470(mm)×370(mm)×140(mm)
Packing specification	32 pieces /box

Immunity Test

ESD test for electrostatic discharge

Test ambient temperature: 25°C

Test ambient humidity: 50%

Test process: Carry out contact and air discharge on the periphery of the iron frame and the display area of the serial port screen in turn, and observe whether the screen has abnormal working phenomena such as reset restart, black screen, white screen, communication interruption, and other abnormalities.

Discharge type	Discharge value	Result
Contact discharge	±6KV	Working properly.
Air discharge	±15KV	Working properly.

Note: All tests are conducted when the products are exposed. In the actual use process, when the serial port screen is assembled on the user equipment, the screen and the equipment are kept well-grounded, the ESD performance of the whole machine will be better.

EFT Test

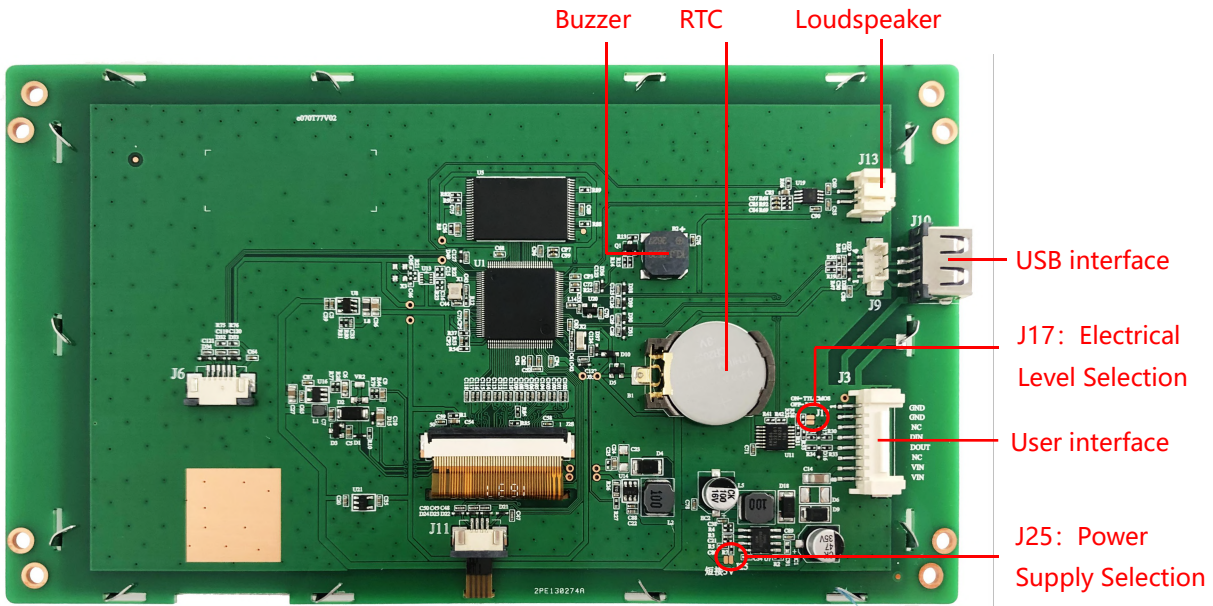
Test ambient temperature: 25°C

Test ambient humidity: 50%

Test process: The power supply line supplies power to the screen through the power supply after the pulse Group generator is coupled with the pulse Group; the serial port signal line carries out serial port communication with the screen through the signal after the pulse Group generator is coupled with the pulse Group; and the screen is observed whether abnormal working phenomena such as reset restart, black screen, white screen, abnormal communication, and communication interruption.

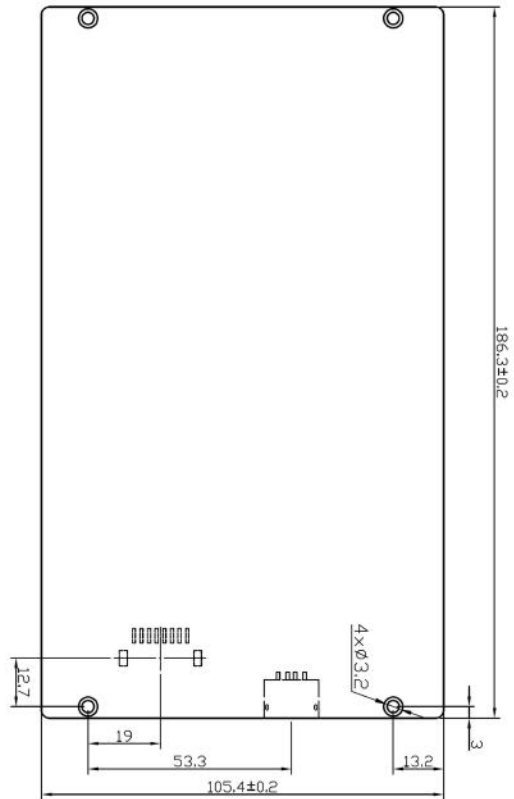
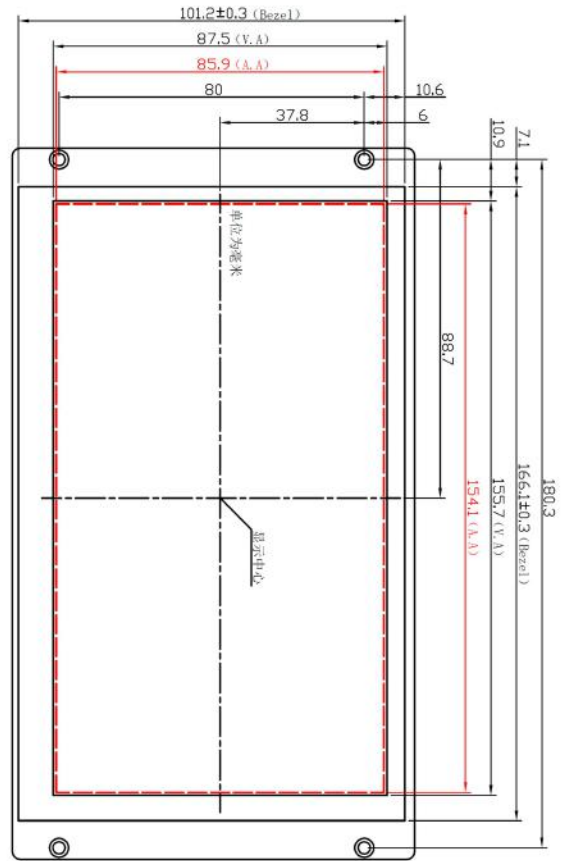
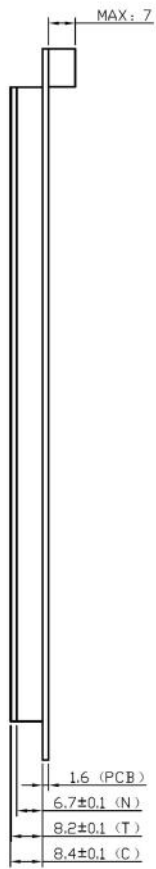
Test item	Test standard		Result
	Voltage	Frequency	
Power cord	4 KV	100 KHz	Working properly.
Signal line	2 KV	100 KHz	Working properly.

Interface Description



Interface Name	Description
Loudspeaker	8Ω/3W, PH2.0-2 socket.
USB interface	For downloading offline or user data copy. Cannot be used for power supply. Please refer to UnicView Connection Guide.
User interface	Used for power supply serial communication. Standard serial communication protocol. 8 pin_2.0mm socket.

Note: The products of our company may always be updated, and are subject to change without notice unless modification of key structure process or major adjustment of layout is involved. The real products shall prevail.



1. Location hole is used as position reference

2. Unmarked Tolerance is +/-0.3mm

Active area is marked in Dash lines

Part No.	P80480V701_T30				 PROCLUS TECHNOLOGIES INS.
Datasheet	A4	Drawn by	Proclus	Date	
Proportion	1:1	Verified by		Date	
Unit	mm	Confirmed by		Date	