

P40400J24CR

2.4 Inches, 400xRGBx400, 64K colors



Modification Record

Date	Content
2026/06/23	First release

Features

- Support LVGL graphics library
- Support TTL/CMOS, the max baud rate is 921600bps
- Support avi-video
- Support offline batch download through SD-Card, which improves download efficiency and reduce requirements for operators;
- Support backlight brightness adjustment and automatic standby screen saver function;
- Support multi-language font library, picture, QR code display;
- Support number and English input, customizable keyboard interface;
- Support 90 degrees, 180 degrees, 270 degrees screen rotation, adjustable visual angle;
- Instant operation when power on without system load time;
- Excellent electromagnetic compatibility characteristics.

Display	
Color	64K (65536) colors, 16 bit color 5R6G5B
Resolution	400 x RGB x 400
Panel Type	IPS, TFT-LCD
Viewing Angle	Full viewing Angle, typical value 85°/85°/85°/85°(L/R/U/D)
Brightness	400 cd/m ² Without a touch
	350 cd/m ² With the touch
Active area (A.A)	39.84mm(W)×39.84mm(H)
Backlight	LED ≥ 10000H (Continuous working with maximum brightness, time of brightness halves)
Life Time	20000H

Note: If the high contrast static display exceeds 30 minutes or more may cause LCD screen residual, it is recommended to increase the screensaver to avoid this problem.

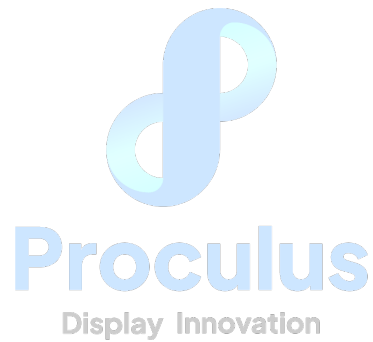
Voltage & Current						
Item	Min.	Typ.	Max.	Unit	Notes	
Power Voltage	3	5	5.5	V	-	
Current, Power	Backlight on	-	110	-	mA	-
		-	0.55	-	W	-
	Backlight off	-	50	-	mA	-
		-	0.25	-	W	-

Note: Recommended Power Supply +5V 1A DC

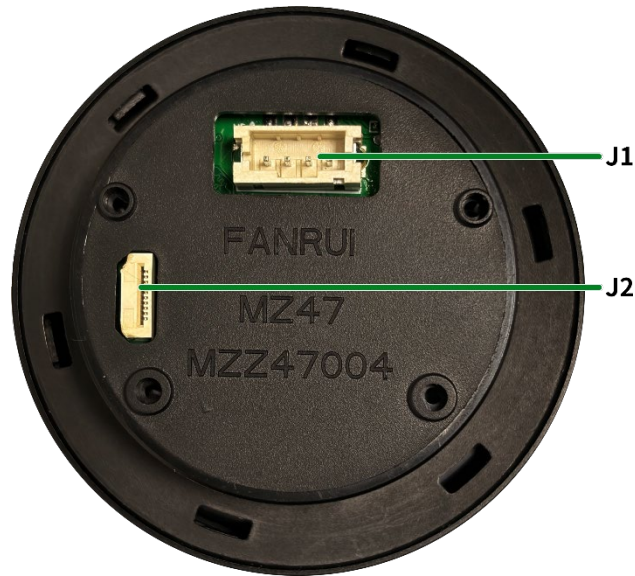
Interface					
Item	Condition	Min.	Typ.	Max.	Unit
Baud Rate	Standard	1200	—	921600	bps
Output	Output 1, I _{out} =1mA	3.0	3.3	—	V
	Output 0, I _{out} =-1mA	—	0	0.3	V
Input	Input 1, I _{in} =1mA	2.4	3.3	5.0	V
	Input 0, I _{in} =-1mA	0	—	0.5	V
Interface	Mode: 8N1, TTL				
Socket	ZH1.5-4PLT				

System & Peripherals	
System	LVGL
Touchscreen Panel	Capacitive
Buzzer	Yes
RTC	-
Audio	-

SD Card	Yes (SD/SDHC, FAT32, 4096) (Update the firmware, pictures, font, and other files)
Memory	
Flash	16Mbyte (128Mbits)
Other Info	
Working Temperature	-20°C~70°C
Storage Temperature	-30°C~80°C
Certification & Levels	IEC4,CE,RoHS
Dimension	59.00mm(W) x 59.00mm(H) x 26.30mm(MAX)



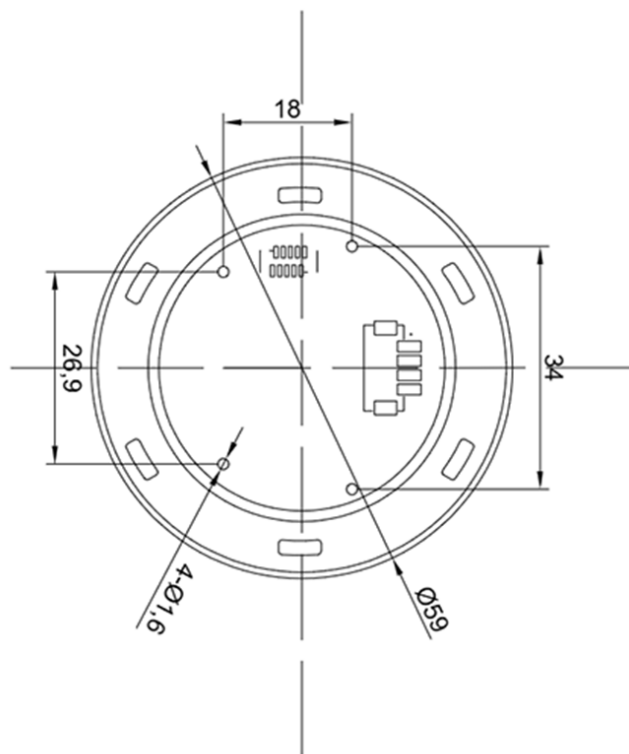
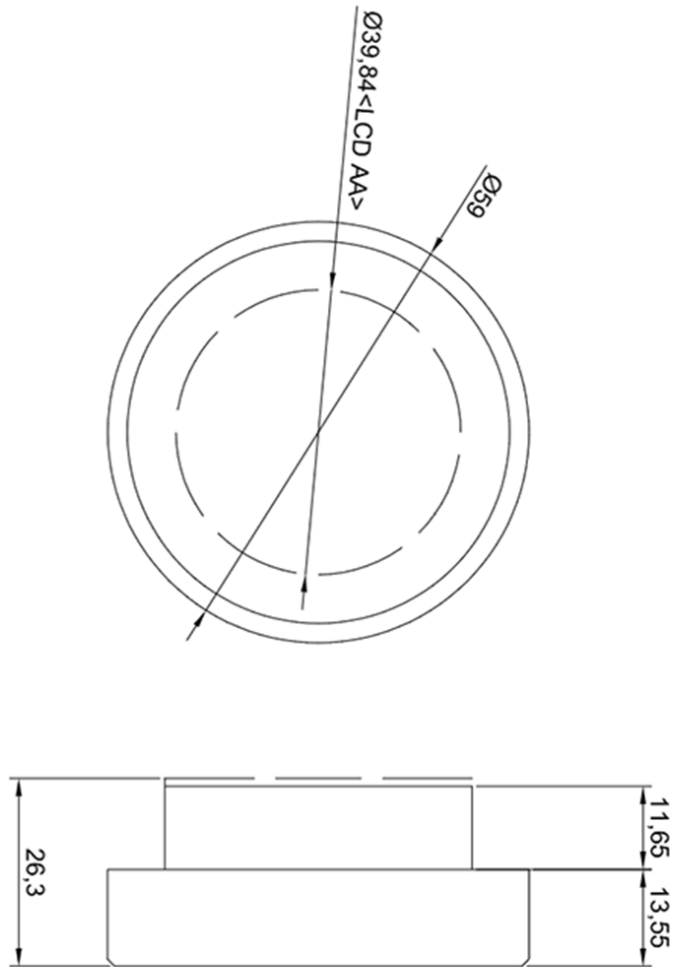
Interface Description




Item	Description
J1	Power & Serial interface: ZH1.5-4PLT
J2	SD card interface: FG-0.5S-LS-10PB

Power & Serial interface		
Pin	Lead	Description
1	GND	-
2	TX	-
3	RX	-
4	5V	-

SD card interface		
Pin	Lead	Description
1	SDC1_D2	Transmit data bit 2
2	SDC1_D3	Transmit data bit 3
3	SDC1_CMD	Transmit commands&responses
4	3.3V	-
5	SDC1_CLK	-
6	GND	-
7	SDC1_D0	Transmit data bit 0
8	SDC1_D1	Transmit data bit 1
9	SDC1_DET	SD card detection pin
10	NC	-



1. Location hole is used as position reference
 2. Unmarked Tolerance is $\pm 0,3\text{mm}$
- Active area is marked in Dash lines

Part No.	P40400J24CR				
Datasheet	A4	Drawn by	Proculus	Date	
Proportion	1:1	Verified by		Date	
Unit	mm	Confirmed by		Date	